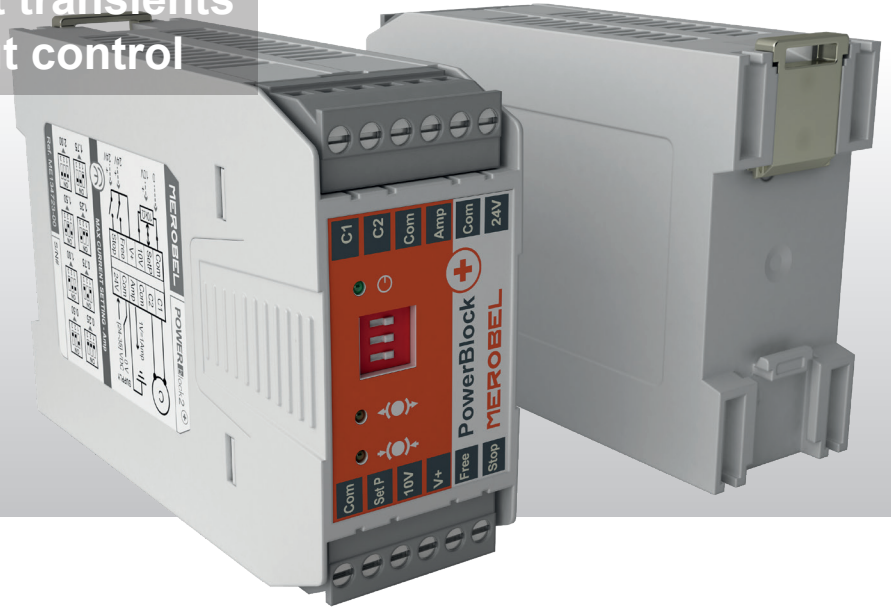


- > Compact & Cost Effective Design
- > High protection against transients
- > Accurate current output control

The most comprehensive range of **CURRENT REGULATED Power Supply** units, based on microcontroller technology.



### POWERBLOCK2 +

The universal solution, suitable to the main part of MEROBEL's EMP Brakes and Clutches range

### POWERBLOCK4 +

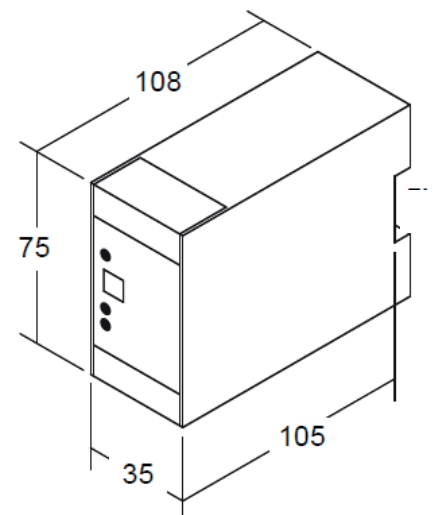
The higher level of output current. Suitable for special coils, for the use of several devices plugged in parallel mode, or other Brakes technologies with low impedance coil (i.e. Hysteresys).

### POWERBLOCK04 +

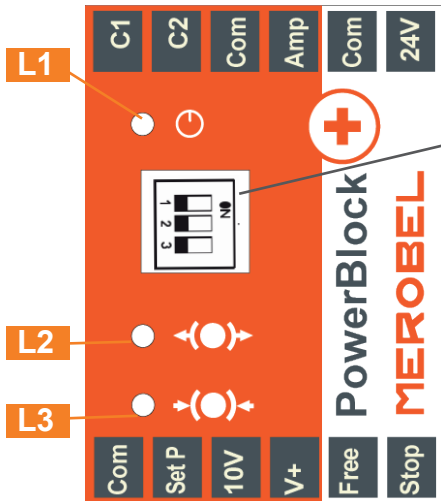
Ideal for higher remote control accuracy of the smallest sizes of MEROBEL's EMP Brakes and Clutches and other Brakes technologies with high impedance coil (i.e. Hysteresys).

Technical Features		Pb2+	Pb4+	Pb04+
Input voltage	[V]	24 to 35V DC	24 to 30V DC	24 to 35V DC
Max output current	[A]	2	4	400 mAmp
Output load (resistance	[ohm]	5 to 60	1 to 10	20 to 400
Max power consumption	[VA]	70	120	20
Remote voltage control	[V]	0 to 10 DC	0 to 10 DC	0 to 10 DC
Ambient temperature	[°C]	+10 .... +40	+10 .... +40	+10 .... +40
Weight	g	170	170	170
Product reference	#	ME134723-00	ME134826-00	ME134829-00

### DIMENSIONS



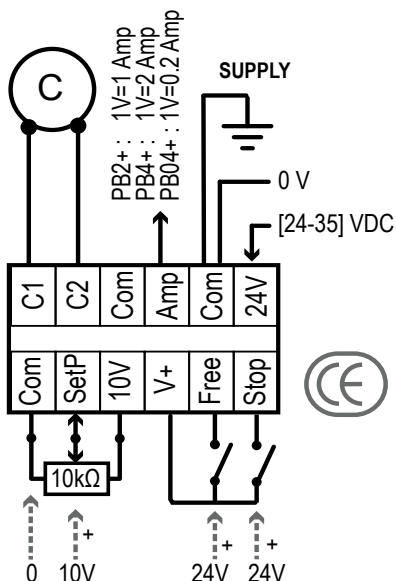
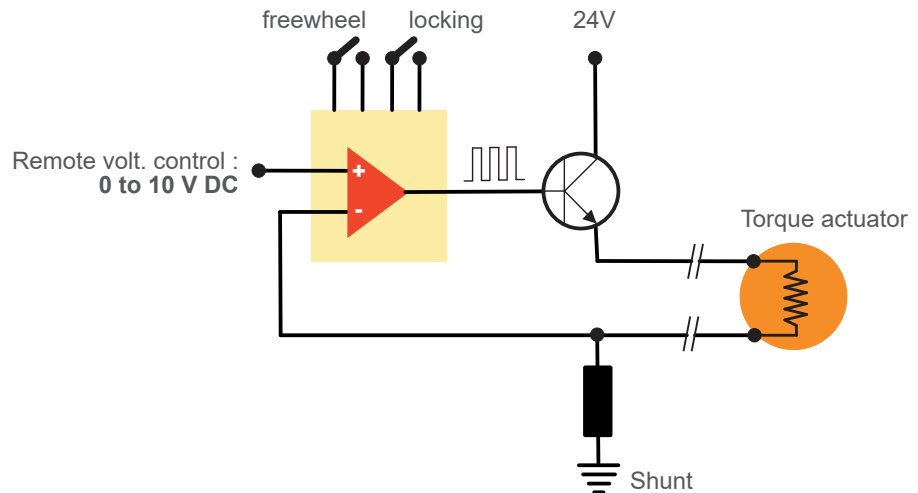
### MAX. OUTPUT CURRENT ADJUSTMENT



PB2+		PB4+		PB04+	
ON 1 2 3	ON 1 2 3	ON 1 2 3	ON 1 2 3	ON 1 2 3	ON 1 2 3
0.25	0.50	0.50	1.00	0.05	0.10
ON 1 2 3	ON 1 2 3	ON 1 2 3	ON 1 2 3	ON 1 2 3	ON 1 2 3
0.75	1.00	1.50	2.00	0.15	0.20
ON 1 2 3	ON 1 2 3	ON 1 2 3	ON 1 2 3	ON 1 2 3	ON 1 2 3
1.25	1.50	2.50	3.00	0.25	0.30
ON 1 2 3	ON 1 2 3	ON 1 2 3	ON 1 2 3	ON 1 2 3	ON 1 2 3
1.75	2.00	3.50	4.00	0.35	0.40

- L1** Power ON
- L2** Freewheel ON
- L3** Blocking ON

### PRINCIPLE



### WIRING

- C1 / C2** Coupling supply (C)
- 0 V** Equipotential supply point
- 24 V** 24 V Supply
- SetP** Set point input (0 -> 10 V DC)
- 10V** Set point potentiometer supply (10k Ω )
- V+** Logic inputs voltage remote control
- Free** Logic input "Freewheel" mode
- Stop** Logic input "Blocking" mode